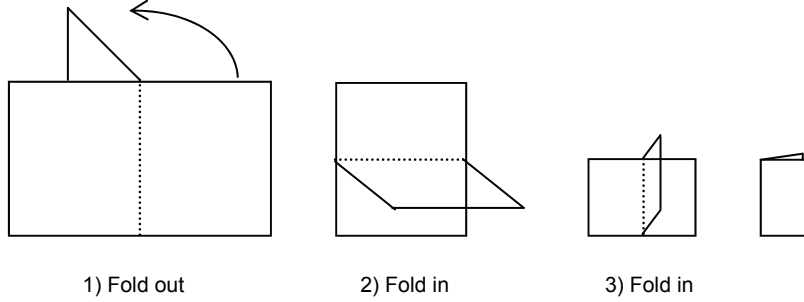


Folding Instructions

Follow these simple steps:



1) Fold out

2) Fold in

3) Fold in

First fold out (back)
Text on outside

1

Second fold in (over)
Folding instructions on inside

2

Last fold in (over)
Features and benefits on inside

3

Advantages:

- Standard configuration includes 4 U.S. power receptacles, 1 composite video (RCA F/F), 1 left channel audio (RCA F/F), 1 right channel audio (RCA F/F), 1 S-video (4-pin Mini-Din F/M), 1 telephone (RJ-11 F/M), 3 network (RJ-45 F/M), 2 computer/MP3 audio (3.5 mm F/M), 2 VGA computer video (15-pin HD F/M), and 2 control (USB F/M).
- TNP602C customization options include connectors such as HDMI®, 3-and 4-pin Mini XLR, H-Position control with signal present LED, and more. Please see the Altinex website for a complete listing.
- The TNP602's inputs are accessed by pushing down on the top cover, allowing the unit to "tilt" open.
- The TNP602 / TNP602C are designed for mounting into tables, podiums, or other furniture as part of a presentation system.
- Standard TNP602 ships with a high quality matte black finish bezel.

Pocket Pitch

Altinex

TNP602 / TNP602C Tabletop Interconnect Boxes



Description: A compact interconnect solution that provides convenient, one touch access to a variety of video, audio, computer, network, and power connections.

Target Customer: A/V Integrators & Technology Managers.

Target Installations: Conference facilities, boardrooms, presentation spaces, and similar venues.

ALTINEX®

This versatile interconnect box provides high choices for quick and convenient patching of equipment into a company's data network or presentation system.

video, left and right channel audio, S-video, telephone, network, VGA, and USB. (See Advantages for complete list.)

The TNP602C is highly customizable.

More than twenty-seven different connector options available—all factory-configured and terminated for effortless installations. The unit's bezel is available in black or brushed aluminum.

The TNP602 features gas-spring technology that provides smooth open and close with an ultra-flat surface when closed.

With both the TNP602 and TNP602C, network signals are passed through the device with connection to the network system being made under the table.

All connectors have 6-foot cables attached that feed through to the bottom of the unit. The power cable is 10 feet long.

Facilitates easy, under-table connectivity to AV system switches, computer video interfaces, distribution amplifiers, etc.

Benefit

Feature

TNP602 / 602C Interconnect Boxes