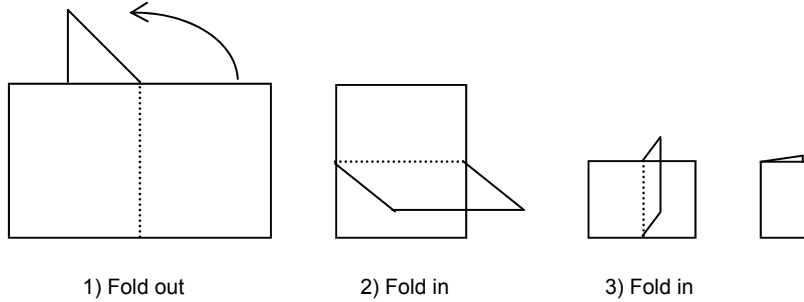


Folding Instructions

Follow these simple steps:



1) Fold out

2) Fold in

3) Fold in

First fold out (back)
Text on outside

1

Second fold in (over)
Folding instructions on inside

2

Last fold in (over)
Features and benefits on inside

3

Advantages:

- Standard TNP528 employs a black matte finish. TNP528C is also available in brushed aluminum and the black Reflection Series mirror finishes.
- TNP528 Interconnect Box makes the tabletop connection point attractive—creating a high-tech visual aesthetic that compliments the décor of any boardroom / presentation space.
- All TNP528 connectors have 6-foot (2 m) cables attached that feed through to the bottom of the unit .
- In its closed position, the TNP528's top panel lies flush with the table's top. TNP528's input plate is accessed by pushing down on the top cover. Unit then auto-tilts open with assistance from the new leaf-spring mechanism.

Pocket Pitch

Altinex

Altinex TNP528 / TNP528C Interconnect Boxes



Description: A compact interconnect solution designed for mounting into tables, podiums, or other furniture as part of an AV presentation system.

Target Customer: A/V Integrators & Technology Managers.

Target Installations: Conference facilities, boardrooms, presentation spaces, and similar venues.

ALTINEX[®]

| Benefit | Feature |
|--|--|
| Easy connectivity. | TNP528 / TNP528C Interconnect Boxes |
| A pre-configured, compact hybrid interconnect solution with Digital (HDMI®) and Analog (VGA) interconnects, plus network and USB connectors. | |
| New leaf-spring mechanism. | |
| Provides a long service life, smooth operation, a magnetic latch, and easy installation. | |
| Ensures the highest standard of electrical safety. | |
| Includes two U.S. power receptacles (12 Amps). | |
| Versatile input configuration. | Standard sectional plate contains one USB Type A, two VGA video, two HDMI, two 3.5 mm audio, and two RJ-45 CAT-6 network connectors. |
| Customization available. | TNP528C is the customizable version. Unit can be outfitted with a wide range of available connector options—all factory-configured and terminated. Call Altinex customer service at 1-800-ALTINEX or visit the company's website . |