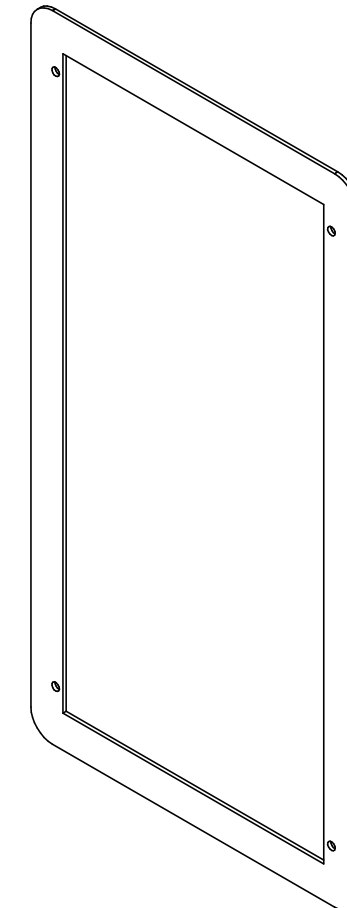
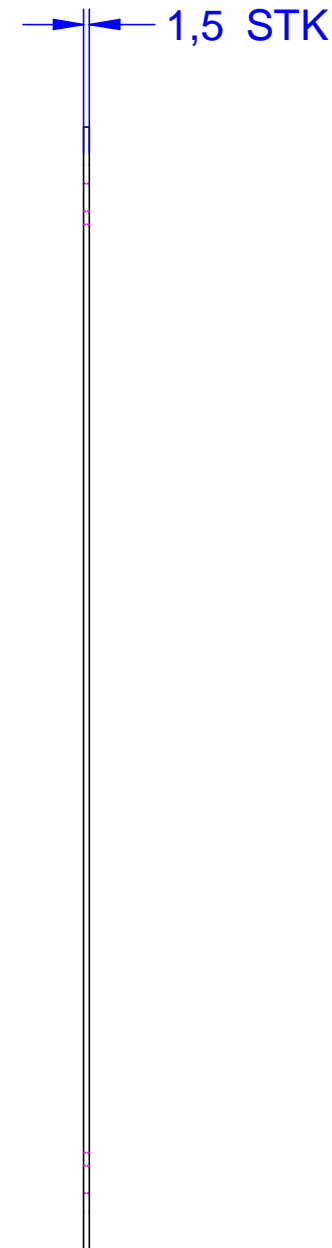
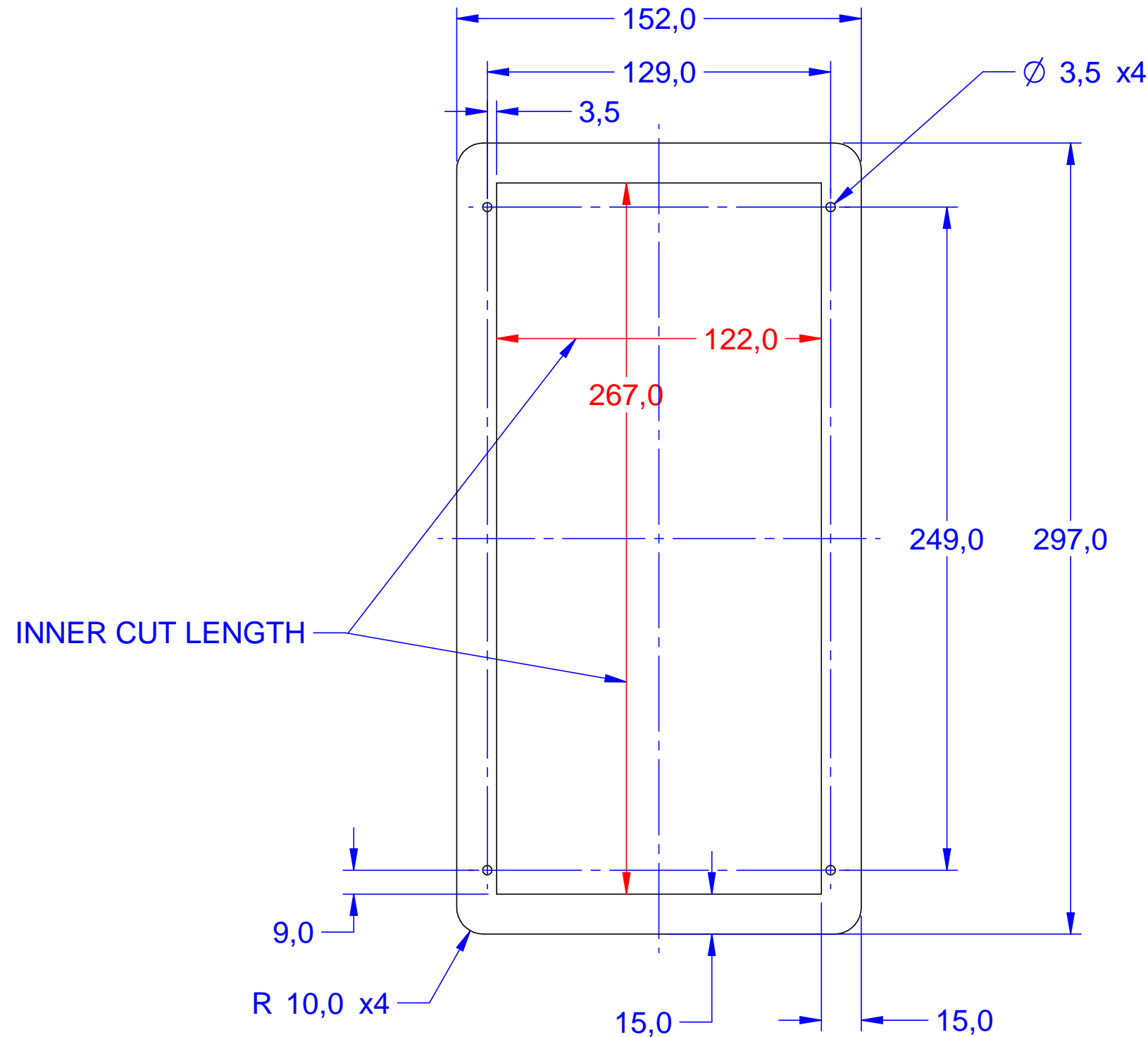


REVISION HISTORY

REV	DESCRIPTION	ECO NO.	DATE	APPROVED
1	PRELIMINARY	005751	22/04/13	RADU N.
2	DIMENSIONS CHANGED			



- NOTE:
1. MATERIAL- COLD ROLLED STEEL CO PER EN10130 DC 01
  2. THICKNESS - 1.5 mm.
  3. BREAK ALL SHARP EDGES AND CORNERS 0.2mm.
  4. COATING - ASTM B633 TYPE III CLASS 2 BLUE-WHITE ZINC - RoHS.

	NAME	DATE	KRAMER ELECTRONICS LTD.	
DRAWN	AAnshelevich	07/Apr/13	JERUSALEM, ISRAEL	
CHECKED				
ENG APPR				
MGR APPR	RADU N.	22/Apr/13	TBUS 202 TABLE CUTOUT TEMPLATE	
UNLESS OTHERWISE SPECIFIED DIMENSIONS ARE IN MILLIMETERS ANGLES $\pm 0.5^\circ$ LINEAR $\pm 0.2$ HOLES $\pm 0.2$			SIZE	REV
			A3	2
			File name: 2732-400202-TBUS-202 TABLE CUT.dft	
			Project: TBUS 202	Sheet 1 of 1