

TB-AVAC TB-CHRG

“TILT ‘N SELECT” TABLE BOXES



FSR

Metal Products Group

TB-AVAC / TB-CHRG



TB-AVAC



TB-CHRG

DESCRIPTION

The TB-AVAC and TB-CHRG serve the needs of a single user at a desk, workstation, huddle area, common area or even multiple locations within a boardroom table. The tilt-up design provides a clean and attractive appearance when the cover is closed, while providing access to the most needed connections when the cover is open. In the open position, the connectors will be at approximately a 35° angle from vertical. This is to accommodate a seated person at the table, with the box being 22” from the edge of the table.

The TB-AVAC table box is designed for AV/IT applications. The box has one integrated UL-Rated AC receptacle and ships with two different connector plates. The first plate is pre-punched to accept two panel-mount HDMI or DisplayPort connectors as well as two keystone connectors. The second plate is pre-punched to accept one panel-mount HDMI or DisplayPort connector, one HD-15 connector and two keystone connectors. Our full line of Simple Solutions (SS) keystone snap-in connectors as well as panel mount HDMI & DisplayPort cables (dongles) can be ordered with the TB-AVAC.

The TB-CHRG has a built in AC Duplex Receptacle with 2 integrated USB Chargers. The UL-Listed 15 Amp, 125 Volt AC duplex receptacle has a 3.8 Amp charging section with two USB type 2.0 charging ports (5 Volt DC each).

APPLICATIONS

- Office Desks
- Workstation
- Hotel and Hospitality Common Spaces
- Boardrooms
- Classrooms
- Conference Centers
- Court Rooms
- Huddle Areas
- Lab Tables
- Control Consoles

FEATURES

- Can be mounted in a wide variety of tables with thicknesses ranging from .75” to 2.25”
- Connector plates can be populated to match the specific application and customer needs
- Both models are ETL listed for furniture installation
- 9’ power cord with a standard 3 prong Edison plug
- TB-AVAC keystone openings can use FSR’s SS-USB-CHRG snap-in USB Chargers
- Can be reconfigured at any time
- Available in Black Anodized finish
- Two Keystone blanks and one 3.5mm cable mount Keystone included with TB-AVAC model

OTHER MODELS

The TB-IPS is a tilt top style box that can be easily custom configured for any job. The unit has openings for up to (8) single IPS insert plates or a variety of multiple plate arrangements.

The new TB-BOSE and TB-BOSE-IPS table boxes are tilt top style table boxes designed specifically to contain a Bose™ FreeSpace 3 Surface-Mount Satellite Cube Speaker. (Speaker provided by customer.)



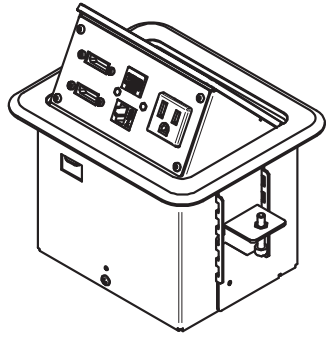
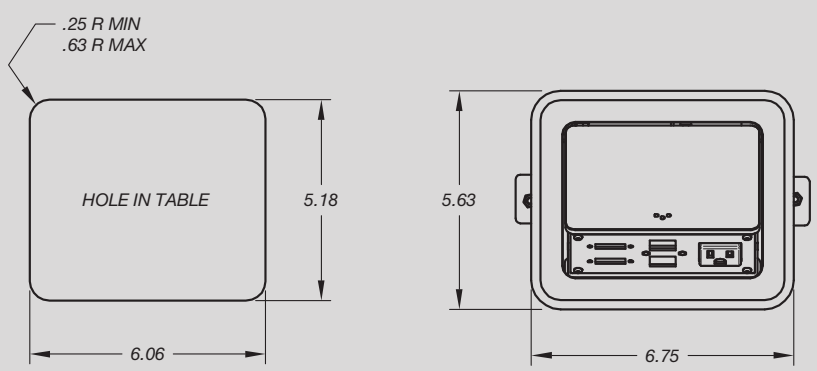
FSR Inc.

244 Bergen Boulevard, Woodland Park, NJ 07424
Phone: 973.785.4347 · Fax: 973.785.4207

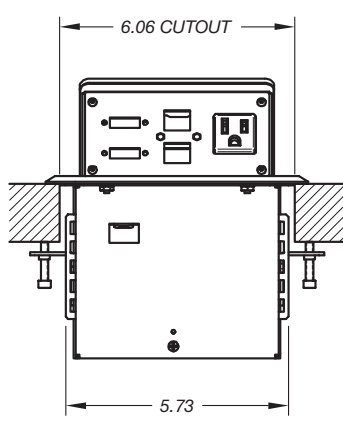
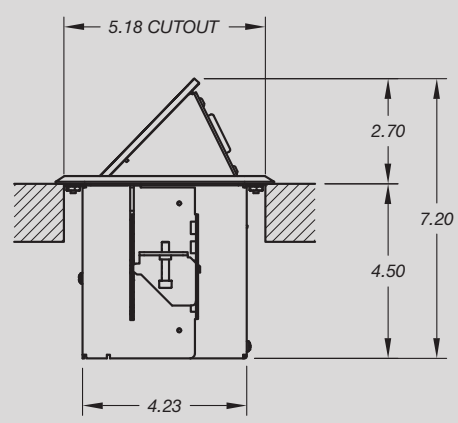
Web: www.fsrinc.com · E-mail: sales@fsrinc.com LIT1560

OVERALL DIMENSIONS

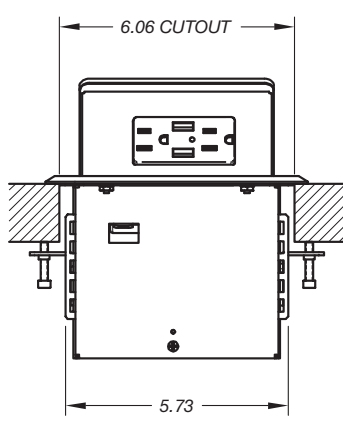
SHADED AREA INDICATES DIMENSIONS COMMON TO BOTH MODELS



TB-AVAC SHOWN WITH OPTIONAL CONNECTORS



TB-AVAC



TB-CHRG

SIMPLE SOLUTIONS CONNECTORS AVAILABLE FOR THE TB-AVAC

- | | | | | | | | | | | |
|--|---|---|---|--|--|--|--|--|--|---|
| | | | | | | | | | | |
| SS-RJ45
CAT 5 to
Punch-Down | SS-SCAT6A
Shielded CAT 6A
Punch-Down | SS-RJCAT6
CAT 6 to
Punch-Down | SS-RJ11
RJ11 to
Punch-Down
(Black Only) | SS-LC
Fiber LC
Bulkhead (Black) | SS-HDMI
HDMI Bulkhead
(White and Black
Only) | SS-BNC
BNC Bulkhead
(White and Black
Only) | SS-SCON
S-Video
Connector
Bulkhead | SS-FCON
F Connector
Bulkhead | SS-RCA-R
Red RCA
Bulkhead | |
| | | | | | | | | | | |
| SS-RCA-B
Black RCA
Bulkhead | SS-RCA-Y
Yellow RCA
Bulkhead | SS-MINI
3.5mm Stereo
to Solder | SS-SWMOM
Momentary
Switch | SS-SWMAIN
Maintained
Switch | SS-CBLNK
Blank Insert | SS-USBA
USB A Bulkhead
(Black Only) | SS-USBAHW
USB A to
Punch-Down
(Black Only) | SS-USBB
USB B Bulkhead
(Black Only) | SS-USBBHW
USB B to
Punch-Down
(Black Only) | SS-USB-CHRG
USB Universal 10W
Charging Port
(black only) with
Power Supply |

Panel mount cables (Dongles) available from FSR:

Part Number	Description
26967	6' Female HDMI Chassis Mount to Male Cable
26968	6' Female HD-15 Chassis Mount to Male Cable
26969	6' Female DisplayPort Chassis Mount to Male Cable
26932	6' 3.5mm Audio Female to Male Cable / Keystone mount provided with TB-AVAC

Specifications are subject to change without notice.



244 Bergen Boulevard, Woodland Park, NJ 07424
 Phone: 973.785.4347 · Fax: 973.785.4207
 Web: www.fsrinc.com · E-mail: sales@fsrinc.com