

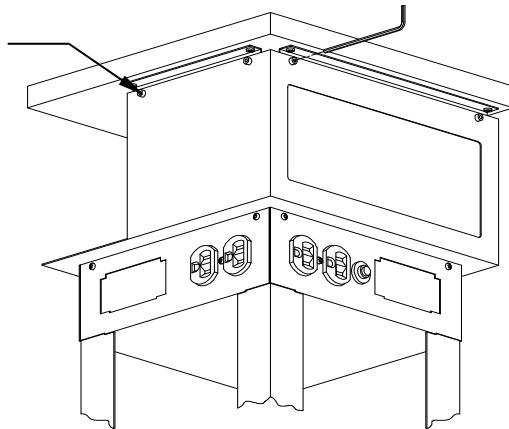
## Intercept 4 Adjustment Sheet

The Intercept unit offers an adjustment of both height and alignment of the final position of the CUTOUT PIECE, in relationship to the tabletop, after installation.

### HEIGHT ADJUSTMENT

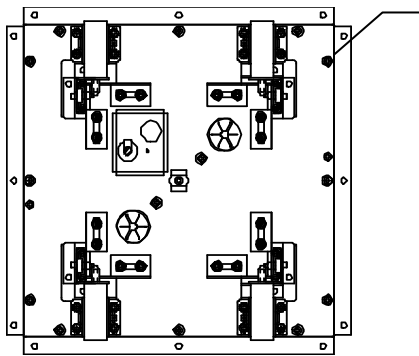
1. The CUTOUT PIECE can be moved up and down, slightly, by loosening the Height Adjustment Screws.  
Note: To raise or lower one corner the adjustment screws on adjacent corners may need to be loosened also.
2. Adjust CUTOUT PIECE as needed and tighten all Height Adjustment Screws.

Height Adjustment  
Screws  
Qty 6



### ALIGNMENT ADJUSTMENT

1. The CUTOUT PIECE can be moved, slightly, front to back and side to side by loosening the twelve (12) Adjustment Screws at the bottom of the Inner Pan and moving the Inner Pan Base as needed.
2. After the CUTOUT PIECE is moved to the proper position, tighten the twelve (12) Adjustment Screws.



Adjustment Screw  
Qty 12

Innovative Power + Data Solutions

ECA • 10 Mountain View Drive • Shelton, CT 06484 • Phone: 1-800-521-3175 • Fax: 203-924-6687

[www.electri-cable.com](http://www.electri-cable.com)