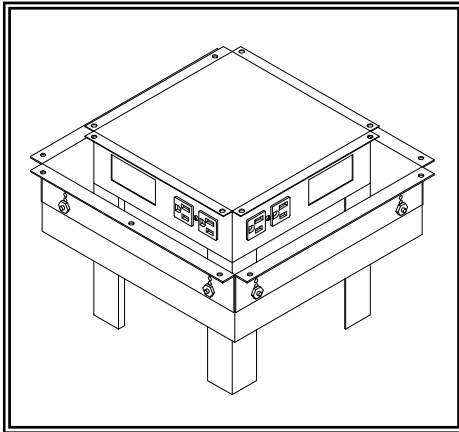
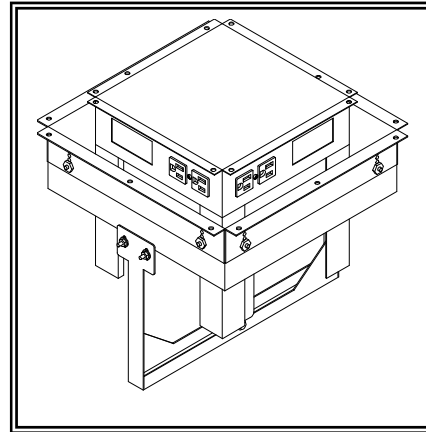


Intercept™ Family Specification Sheet

INTERCEPT 1 – Manual Lift



INTERCEPT 2 – Motorized



QR Code
Scan here to
learn more



Product Specifications

- All Steel Construction
- 4/15 Amp duplexes, one on each side
- 15 Amp circuit breaker
- 72" long 14/3 SJT molded cord set with 15 Amp plug
- Supplied with attractive brush trim cut and mitered to accent table and ease installation while providing wire access
- 4 cutouts for telecom plates
- Double action switch with 72" of cable (Intercept 2 only)
- UL Listed (Intercept 2)
- CSA Certified (Intercept 1)

Product Dimensions		
Product Dimension	Intercept 1	Intercept 2
Lift	3"	4"
Mounting Flange	14.5" square	14.5" square
Depth	9.88"	11.76"
Depth with optional outer pan	10.675"	13.25" (plus 5 inches for power transformer)
Outer pan mounting flange	18.5" square	18.5" square