

Concept Installation Sheet

Step 1

Determine type of application and ensure table and top sizes fall within the parameters

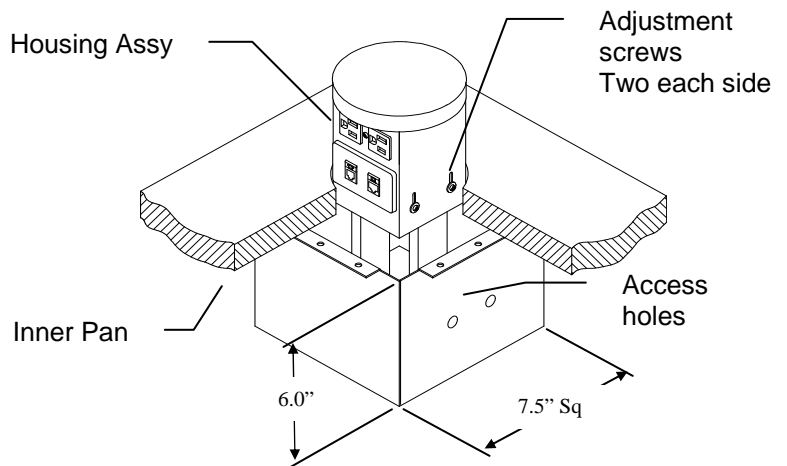
Step 2

Fabricate top and cutout table as required. Ensure to allow for an adequate clearance between both finished surfaces. Recommended gap is between 1/16" to 1/8"

Step 3

Mount top onto Concept (if required) and mount Concept under table as shown using #10 x 1/2 screws provided (ensure mounting screws don't penetrate table surface. Operate Concept to ensure no interference between top and table occurs and Concept functions properly.

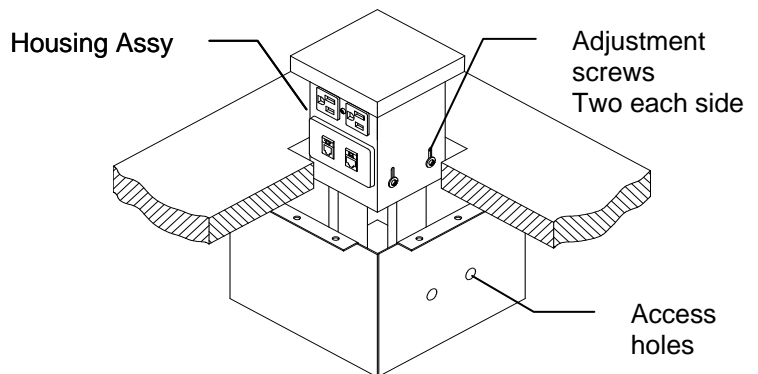
Round Application



Parameters

Minimum top size:	5" diameter*
Maximum opening size:	7" diameter*
ECA manufactured top	5.25" diameter*

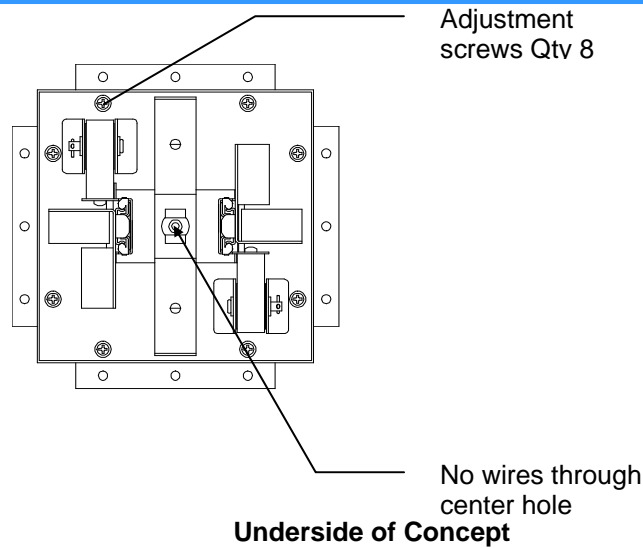
Square Application



Parameters

Minimum top size:	4.5 "square*
Maximum opening size:	7" square*
ECA manufactured top	5.25 "square"

* When using ECA's manufactured tops or trim rings refer to those installation instructions for proper cutout sizes.



Step 4

ADJUSTMENTS

To adjust for vertical: loosen the 4 screws on the side of the housing and move housing to the desired position. Holes in Inner Pan may assist in access to screws. Tighten screws.

To center top in opening: loosen 8 adjustment screws and center top in opening and tighten all 8 screws.

Step 5

Feed Tel/Com wiring up through wire loop on leg and through grommet at base of Concept. Hook up Tel/Com jacks and snap plates in place as shown.


If Outer Pan is used, feed wires through opening at bottom before loop in leg. Mount Outer Pan to Concept with screws provided.

Plug in Concept.

Note:

Ensure all adjustment screws are tight and wires are not going to be damaged during operation prior to use.

Concept is now ready for use.

Recycled Content Information 		
	Concept	Concept HD/GSC
Post-Consumer Content	23.50%	23.20%
Pre-Consumer Content	5.90%	5.80%
Total % qualifying toward LEED®	26.40%	26.10%

Innovative Power + Data Solutions