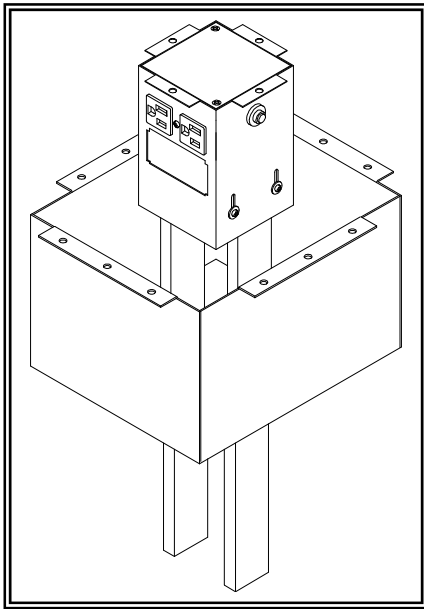
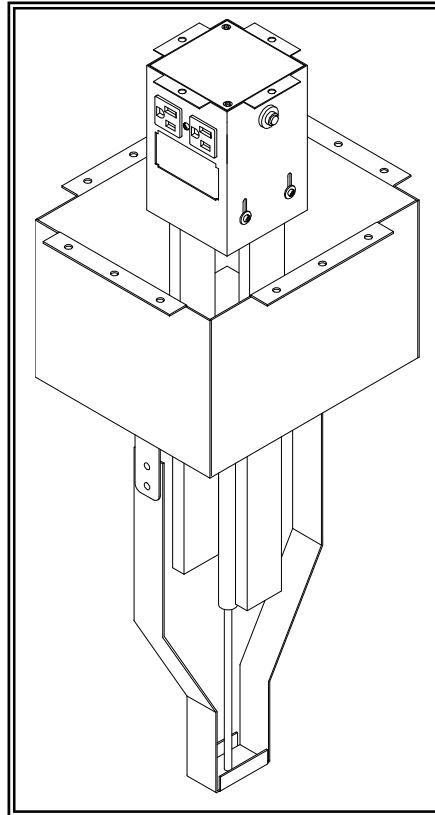


Concept Specification Sheet

Concept SC – Spring Lift



Concept GSC – Gas Spring lift



Product Dimensions:	
Lift	4"
Mounting Flange	9" square
Depth (SC/GSC)	14.5"/21.3"
Depth with optional outer pan (mounts beneath pan – SC only)	23.5"

Product Specifications
<ul style="list-style-type: none"> All Steel Construction 2/15 Amp duplexes, one on each side 15 Amp circuit breaker 72" long 14/3 SJT molded cord set with 15 Amp plug 2 cutouts for telecom plates, one on each side

Concept Ordering Information

Concept Standard Product Configurations		
Ordering Number	Product Configuration	Finish Option
CON-R-B-SC-K CON-R-SS-SC-K	Concept Unit with 4 power and 2 telecom plate cutouts, Manual Lift, will lift 4 lbs, Includes round top and Trim Kit, 72" molded plug	Black Stainless Steel
CON-R-B-HW-K CON-R-SS-HW-K	Concept Unit with 4 power and 2 telecom plate cutouts, Manual Lift, will lift 4 lbs, Includes round top and Trim Kit, 72" hardwire	Black Stainless Steel
CON-R-B-GSC-K CON-R-SS-GSC-K	Concept Unit with 4 power and 2 telecom plate cutouts, Gas Spring Lift, will lift 4 lbs, Includes round top and Trim Kit, 72" molded plug	Black Stainless Steel
CON-R-B-HD-K CON-R-SS-HD-K	Concept Unit with 4 power and 2 telecom plate cutouts, Gas Spring Lift, will lift 4 lbs, Includes round top and Trim Kit, 72" molded plug	Black Stainless Steel
CON-S-B-SC-K CON-S-SS-SC-K	Concept Unit with 4 power and 2 telecom plate cutouts, Manual Lift, will lift 4 lbs, Includes square top and Trim Kit, 72" molded plug	Black Stainless Steel
CON-S-B-HW-K CON-S-SS-HW-K	Concept Unit with 4 power and 2 telecom plate cutouts, Manual Lift, will lift 4 lbs, Includes square top and Trim Kit, 72" hardwire	Black Stainless Steel
CON-S-B-GSC-K CON-S-SS-GSC-K	Concept Unit with 4 power and 2 telecom plate cutouts, Gas Spring Lift, will lift 4 lbs, Includes square top and Trim Kit, 72" molded plug	Black Stainless Steel
CON-S-B-HD-K CON-S-SS-HD-K	Concept Unit with 4 power and 2 telecom plate cutouts, Gas Spring Lift, will lift 4 lbs, Includes square top and Trim Kit, 72" molded plug	Black Stainless Steel
Concept Build Your Own Product Configurations		
Ordering Number	Product Configuration	
CONCEPT SC	Pop-up, manual lift unit, 4 power, Cutouts for 2 telecom plates, 72" power cord, Black textured finish. CSA Certified.	
CONCEPT HW	Pop-up, manual lift unit, 4 power, Cutouts for 2 telecom plates, 72" metal flex cable for hardwire, Black textured finish.	
CONCEPT GSC	Pop-up, manual lift with gas springs unit, 4 power, Cutouts for 2 telecom plates, 72" power cord, Black textured finish. CSA Certified.	
CONCEPT GHW	Pop-up, manual lift with gas springs unit, 4 power, Cutouts for 2 telecom plates, 72" metal flex cable for hardwire, Black textured finish.	
Concept Accessories		
Ordering Number	Product Configuration	
AK 00	Trim plate for square cut out, black finish with wire management brush	
AK 00 SS	Trim plate for square cut out, brushed stainless steel finish with wire management brush	
CONCEPT 5 1/4" SSSQ	5 1/4" square brushed stainless steel top, 1/8" thick	
TR-SS	Trim Ring, brushed stainless steel with 1/4" brush	
TR-BL	Trim Ring, black with 1/4" brush	
CONCEPT 5 1/4" SSRD	5 1/4" round brushed stainless steel top, 1/8" thick	
CONCEPT 5 1/4" BLSQ	5 1/4" square black top, 1/8" thick	
CONCEPT 5 1/4" BLRD	5 1/4" round black top, 1/8" thick	
CONCEPT OUTERPN	Outer pan for use when the Concept SC not installed in a pedestal	
*Please note Fiber Optic, Mini Stereo, and HDMI connectors are not supported in the Concept and the use of the VGA & Sub D requires special accommodations. Please consult factory for alternative solutions. 1-800-521-3175 or customerservice@electri-cable.com		