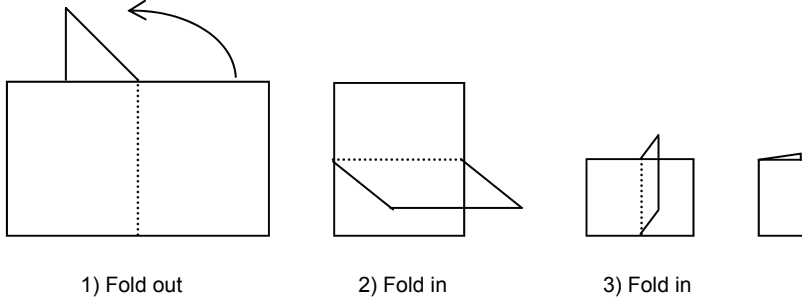


## Folding Instructions

Follow these simple steps:



First fold out (back)  
Text on outside

1

Second fold in (over)  
Folding instructions on inside

2

Last fold in (over)  
Features and benefits on inside

3

Complete, easy-to-use A/V interconnect packages include: dual AC power plate and retaining grommets (2-holes in Cable-Nook Jr. models, 6-holes in standard Cable-Nook CNK260). Retaining grommet sets contain plates, nylon bushings, and cover caps for positioning cables.	Cable-Nook CNK260 can be modified for use in International market.	Once installed, cables feeding the A/V equipment can be accessed quickly and returned to the Cable-Nook / Cable-Nook Jr. for storage.	Cable-Nook Jr. models CNK261, CNK271, CNK361 offer bezels to best suit the application / Under Table Switchers.	Cable-Nook Jr. and Cable-Nook packages offer black brushed aluminum and clear brushed aluminum finishes.
Packages include: dual AC power plate and retaining grommets (2-holes in Cable-Nook Jr. models, 6-holes in standard Cable-Nook CNK260). Retaining grommet sets contain plates, nylon bushings, and cover caps for positioning cables.	Cable-Nook CNK260 can be modified for use in International market.	Once installed, cables feeding the A/V equipment can be accessed quickly and returned to the Cable-Nook / Cable-Nook Jr. for storage.	Cable-Nook Jr. models CNK261, CNK271, CNK361 offer bezels to best suit the application / Under Table Switchers.	Cable-Nook Jr. and Cable-Nook packages offer black brushed aluminum and clear brushed aluminum finishes.

Benefit	Feature
	<i>Cable-Nook Jr. and Cable-Nook Packages</i>

### Advantages:

- Cable-Nook Jr. and Cable-Nook interconnect boxes provide tremendous versatility for convenient A/V system access in meeting rooms and presentation spaces.
- Cable-Nook Jr. CNK361 makes it very easy to control Altinex Under Table switchers and switch between input sources.
- Integrators appreciate the fact that Cable-Nook Jr. and Cable-Nook interconnect boxes provide fast assembly and easy installation.
- Cable-Nook Jr. and Cable-Nook interconnect packages include cover caps to fill any vacant cable holes—providing a clean, complete appearance.

### Pocket Pitch

#### Altinex

**Cable-Nook Jr. CNK261, CNK271, CNK361 / Cable-Nook CNK260 Interconnect Packages**



**Description:** These units provide a convenient means of connecting audio, video, and other multimedia sources into a presentation system.

**Target Customer:** A/V Integrators and Technology Managers.

**Target Installations:** Conference room or boardroom tables.

**ALTINEX®**