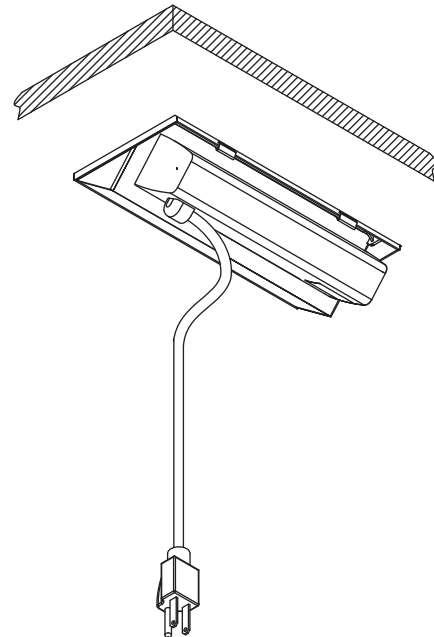
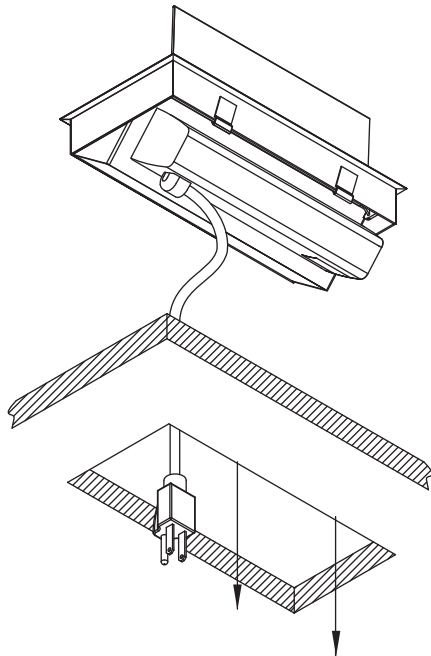
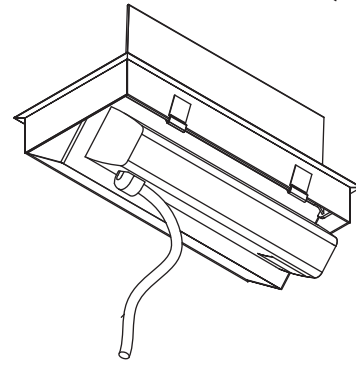
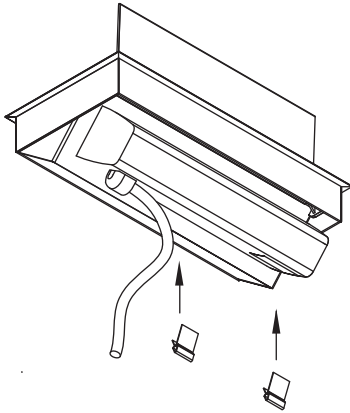
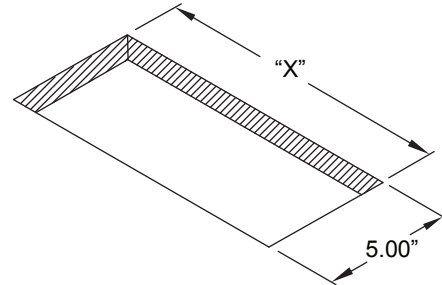


# BYRNE

## INSTALLATION INSTRUCTIONS FOR ELLORA™

Install data jacks as described in the installation instructions provided with the data adapters, BE01421

Part Number		"X" Dim.
BE02511	2 ports	5.00
BE02511	3 ports	6.50
BE02511	4 ports	8.00
BE02511	5 ports	9.50
BE02511	6 ports	11.00
BE02511	7 ports	12.50
BE02511	8 ports	14.00



Note: In a conduit application; conduit should be supported according to local code.