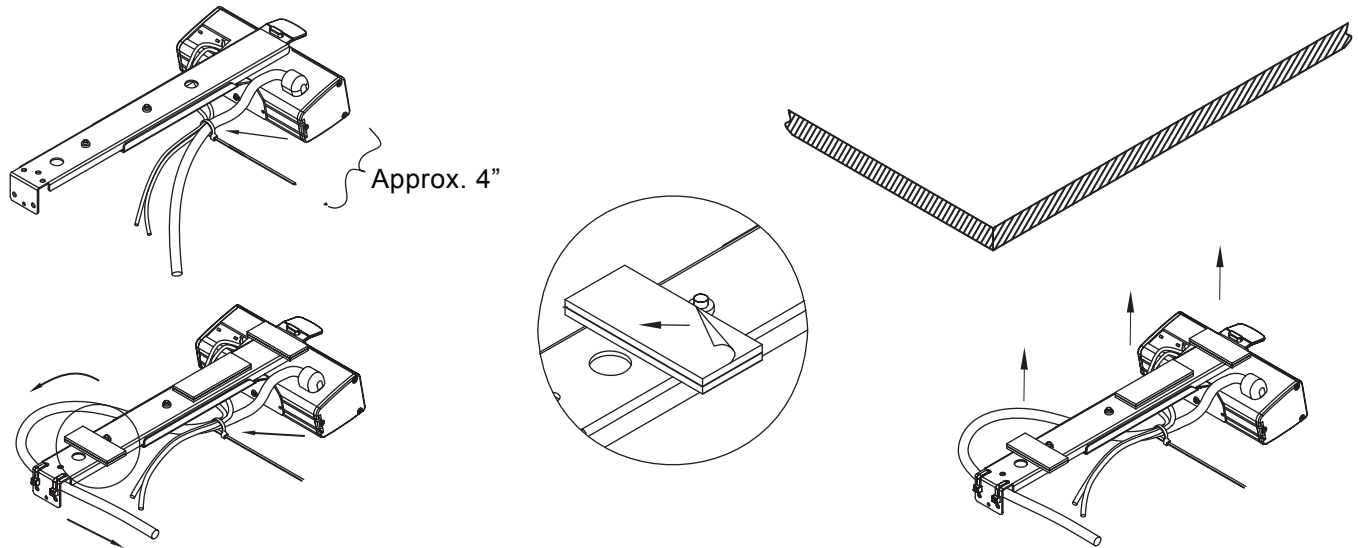




INSTALLATION INSTRUCTIONS FOR BYRNE ASSEMBLE® REVEAL

Install data jacks as described in the installation instructions provided with the data adapters, BE01421



With unit fully extended, attach data cables to the power cord or top channel

